

Masport[®] Heating

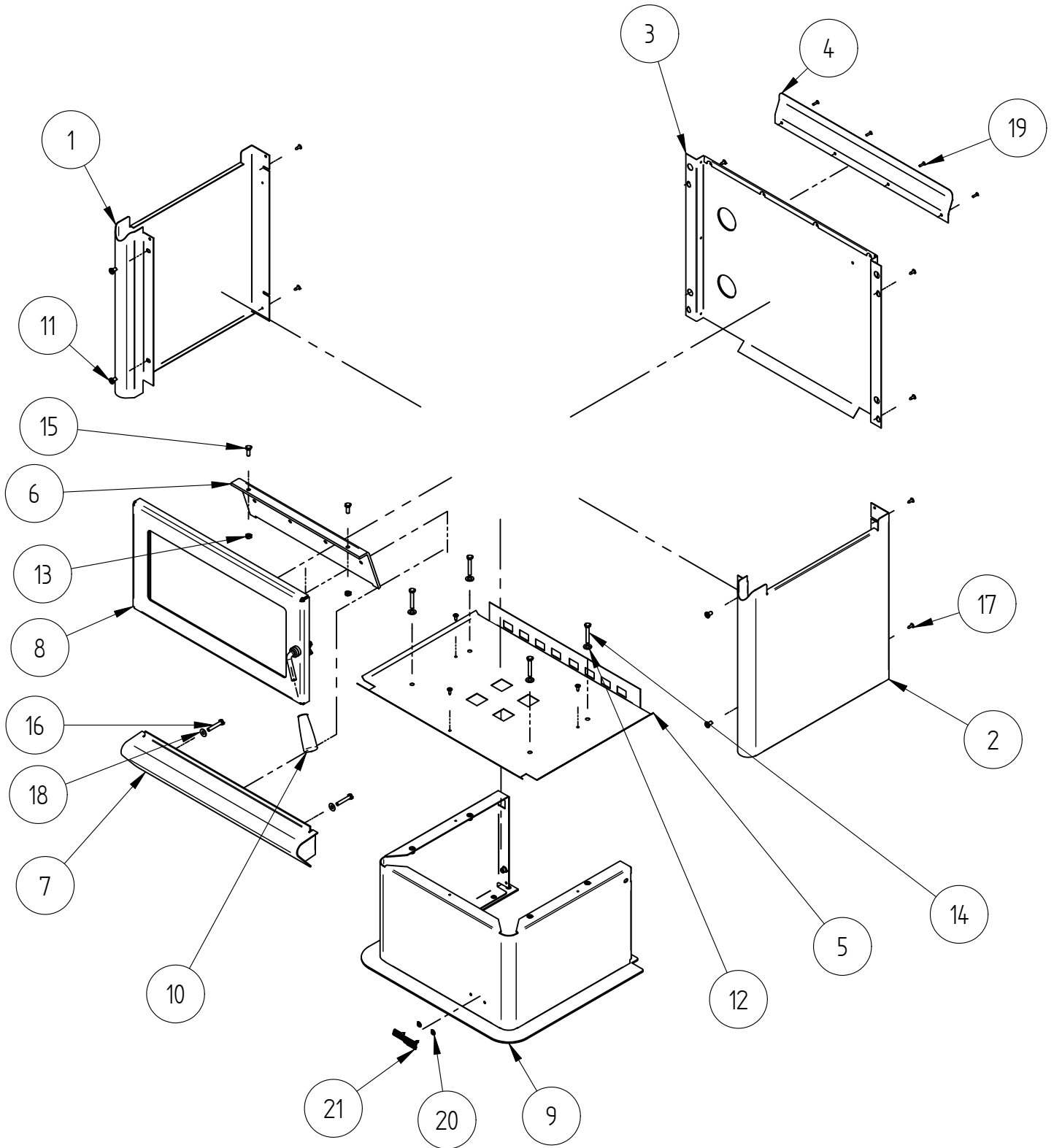
FREESTANDING WOOD FIRES

R1500 RURAL - NEW ZEALAND

Item No.	MARKET	FUEL TYPE	FINISHING	YEAR	FAN
993928	NZ	SOFTWOOD	Metallic Black VHT Paint	JAN-2013	No



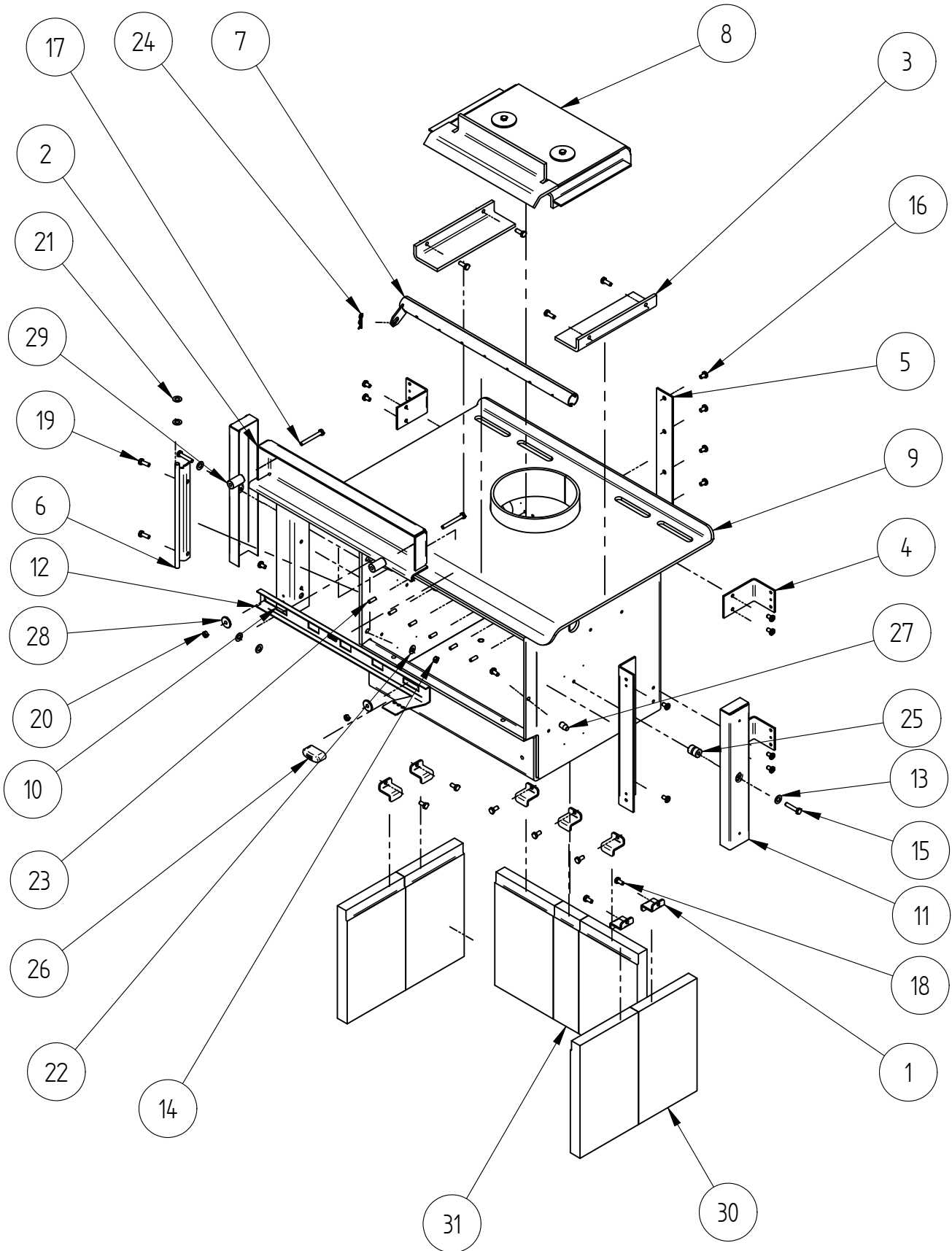
PANELS, DOOR AND PEDESTAL



When ordering PLEASE QUOTE PART ID, MODEL Number & DESCRIPTIONS, NOT ITEM Number
determining left hand side from viewing position

PANELS, DOOR AND PEDESTAL				
Item	Part ID	Models	Descriptions	Qty
		993928		
1	993756	V02	R1500 SIDE PANEL L/H	1
2	993755	V02	R1500 R/H SIDE PANEL	1
3	993759	-	R1500 REAR PANEL	1
4	993770	V02	F1500 REAR H/S PANEL EXTENTION	1
5	993775	-	R1500 BASE HEAT SHIELD	1
6	993776	-	R1500 F/B BASE AIR DEFLECTOR	1
7	993768	-	R1500 ASHLIP ASSEMBLY	1
8	993790	V02	SEE DOOR ASSEMBLY PAGE	1
9	993783	V02	R1500 PEDESTAL SUB ASSY	1
10	MIC00376	-	MIC DOOR HANDLE	1
11	521045	-	SCREW; M6X10 PAN POZI BLK	4
12	523019	-	WASHER; FLAT 5/16"X5/8"X16G ZP	4
13	522107	-	NUT; HEX STD M6 BLK	2
14	521077	-	SCREW; M6X40 HEX ZP	4
15	521052	-	SCREW; M6X16 HEX BLK	2
16	521060	-	SCREW; M6X35 HEX ZP	2
17	521645	-	SCREW; S/T 8GX1/2" MUSH FLANGE POZI BLK	11
18	523036	-	WASHER; FLAT 1/4"X5/8" BLK	2
19	524003	-	RIVET; 73 AS 4-5	4
20	526009	-	CLIP; STARLOCK M4	2
21	587835	-	BADGE MASPORT HEATING	1

When ordering PLEASE QUOTE PART ID, MODEL Number & DESCRIPTIONS, NOT ITEM Number
determining left hand side from viewing position

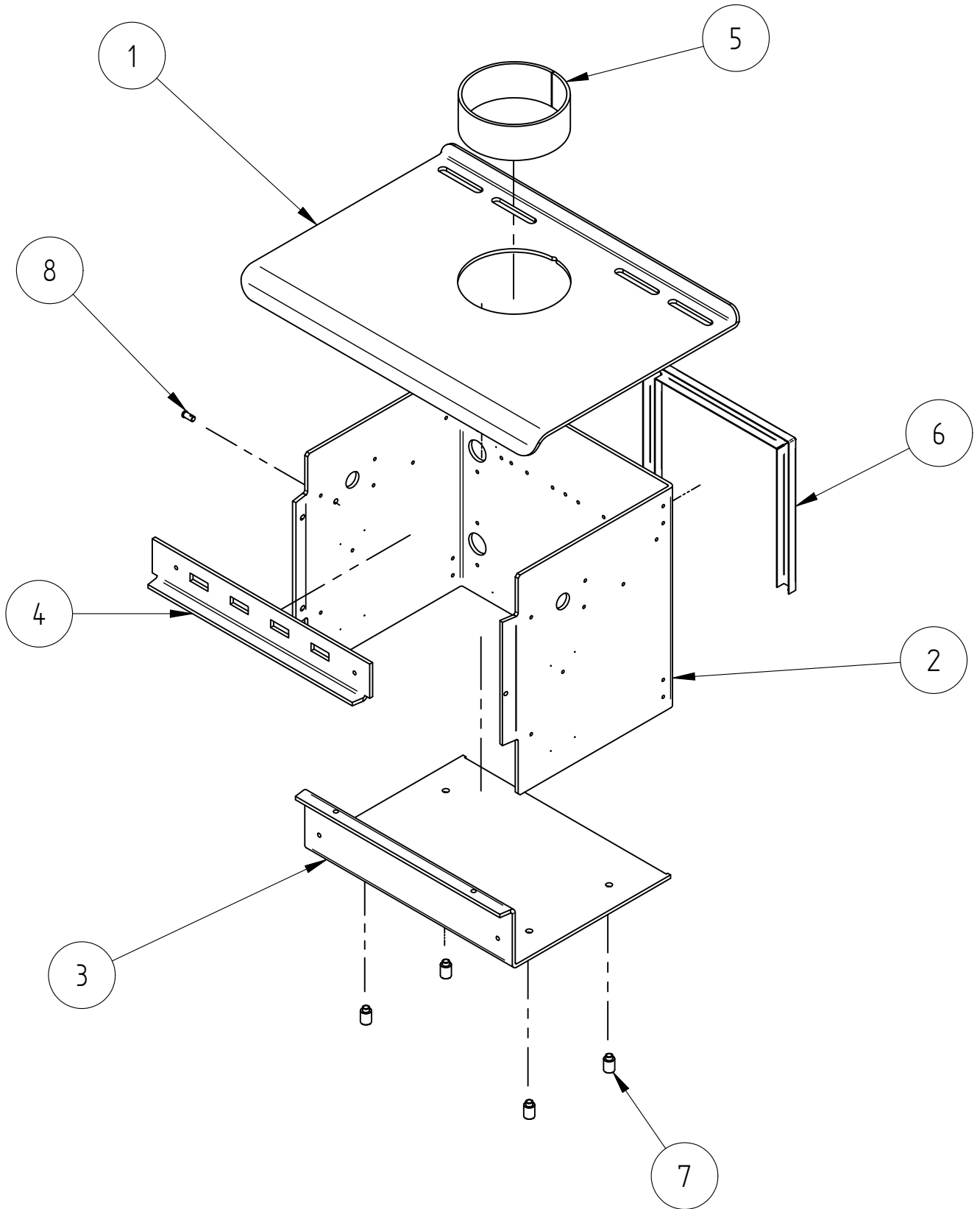


When ordering PLEASE QUOTE PART ID, MODEL Number & DESCRIPTIONS, NOT ITEM Number
determining left hand side from viewing position

AIRSLIDE, BAFFLE, BRICKS AND FIREBOX				
Item	Part ID	Models	Descriptions	Qty
		993928		
1	HBA00118	-	HBA BRICK RETAINER	7
2	MIC00102	-	MIC AIR DEFLECTOR	1
3	MIC00116	-	MIC BAFFLE SUPPORTS	2
4	MIC00130	-	MIC REAR BODY MOUNT BRKT	4
5	MIC00135	-	MIC WET BACK COVER PLATE	1
6	MICAC190	-	MIC DOOR HINGE ASSEMBLY	1
7	993804	-	R1500 RURAL AIR BAR ASSEMBLY	1
8	993773	-	R1500 BAFFLE SUB ASSEMBLY	1
9	993750	-	R1500 F/B ASSY NZ	1
10	MIR00183	-	MIR DOOR RIDDLE	2
11	MIC00123	-	MIC SEC AIR CHANNEL	2
12	993803	-	R1500 RURAL AIRSLIDE	1
13	523019	-	WASHER; FLAT 5/16"X5/8"X16G ZP	4
14	522107	-	NUT; HEX STD M6 BLK	2
15	521059	-	SCREW; M6X30 HEX ZP	2
16	521046	-	SCREW; M6X10 PAN POZI ZP	16
17	521061	-	SCREW; M6X50 HEX ZP	2
18	521075	-	SCREW; M6X12 HEX ZP	8
19	521076	-	SCREW; M6X16 HEX ZP	6
20	522117	-	NUT; HEX STD M6 ZP	2
21	523018	-	WASHER; FLAT 5/16"X5/8" BLK	2
22	523036	-	WASHER; FLAT 1/4"X5/8" BLK	2
23	525002	-	PIN; TENSION 5X16 BLK	6
24	526101	-	CLIP; R-CLIP 1.8 DIA ST	1
25	HBA00129	-	HBA AIR DEFLECTOR SPACER	2
26	593568	-	AIR SLIDE KNOB PUSH ON	1
27	MIC00079	-	LOGAIRE CATCH PIN	1
28	MIC00083	-	LOGAIRE METRO AIR SLIDE SPACER	2
29	MIC00129	-	MIC AIR DEFLECTOR BUSH	2
30	MIC00354	-	MIC BRICK	6
31	MIC00355	-	MIC BRICK HALF	1

When ordering PLEASE QUOTE PART ID, MODEL Number & DESCRIPTIONS, NOT ITEM Number
determining left hand side from viewing position

FIREBOX DETAILS

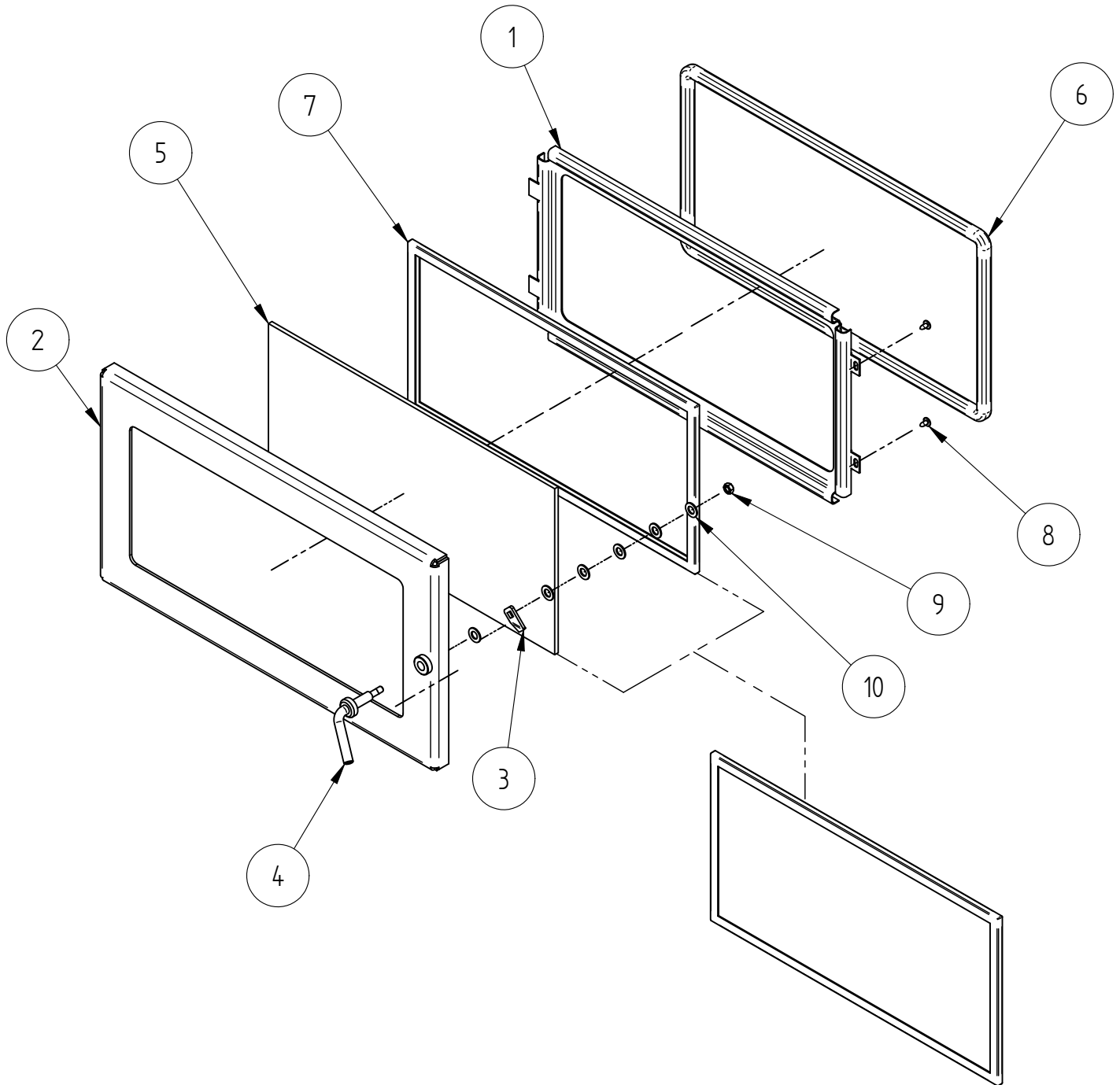


When ordering PLEASE QUOTE PART ID, MODEL Number & DESCRIPTIONS, NOT ITEM Number
determining left hand side from viewing position

FIRE BOX : 993750				
Item	Part ID	Models	Descriptions	Qty
		993928		
1	993751	-	R1500 F/B COOK TOP	1
2	993753	-	R1500 F/B WRAP	1
3	993754	-	R1500 F/B BOTTOM	1
4	993752	-	R1500 F/B TOP FRONT	1
5	MIC00120	-	MIC SPIGOT	1
6	MIR00219	-	MIR REAR HEAT CHANNEL	1
7	MET00429	-	FIREBOX BUSH - SPIGOTED	4
8	MIC00137	-	MIC AIRBAR PIN	1

When ordering PLEASE QUOTE PART ID, MODEL Number & DESCRIPTIONS, NOT ITEM Number
determining left hand side from viewing position

DOOR ASSEMBLY



When ordering PLEASE QUOTE PART ID, MODEL Number & DESCRIPTIONS, NOT ITEM Number
determining left hand side from viewing position

DOOR ASSEMBLY : 993928				
Item	Part ID	Models	Description	Qty
		993928		
1	MIC00034	-	MIC GLASS RETAINER	1
2	MWSAC030	V02	MWS DOOR FRAME COMPLETE SUB ASSEMBLY	1
3	MIC00133	-	MIC DOOR LATCH PLATE	1
4	MIC00373	-	DOOR SPINDLE	1
5	MIC00204	-	MIC GLASS	1
6	C13MMDR	-	DOOR ROPE	1
7	C25MMLT	-	LADDER TAPE 25x3x50m ROLL (MTR)	1
8	521627	-	SCREW; S/T 8GX3/8" MUSH FLANGE POZI BLK	2
9	522117	-	NUT; HEX STD M6 ZP	1
10	523018	-	WASHER; FLAT 5/16"X5/8" BLK	6

*Optional Sale Kit

When ordering PLEASE QUOTE PART ID, MODEL Number & DESCRIPTIONS, NOT ITEM Number
determining left hand side from viewing position

NOT ILLUSTRATED				
Item	Part ID	Models	Descriptions	Qty
		993928		
1	593794	-	INSTRUCTION - BRICK LAYOUT	1
2	593286	-	OWNER MANUAL WOODFIRES	1
3	593287	-	INSTALL MANUAL WOODFIRES	1
4	593791	-	R1500 INSTALLATION DATA SHEET	1

SURFACE FINISH CODES FOR PANELS					
VITREOUS ENAMEL		VHT PAINT(Very High Temp)		POWDER COAT	
E01	MATT BLACK	V02	METALLIC BLACK	P02	MATT BLACK
E02	GLOSS BLACK	V03	CHARCOAL	P03	CHARCOAL
E03	CHARCOAL	V04	TITANIUM	P05	SATIN BLACK
		V05	CHARCOAL (DAM MET BLK)	P09	METTALIC BLACK
		V06	METALLIC BLACK ZINC		

When ordering PLEASE QUOTE PART ID, MODEL Number & DESCRIPTIONS, NOT ITEM Number
determining left hand side from viewing position